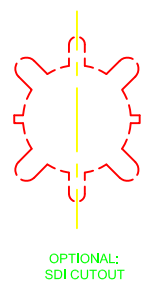
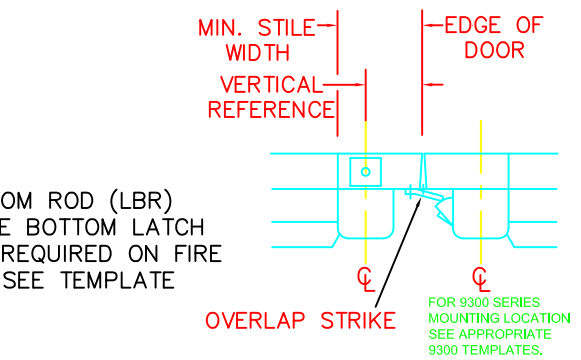
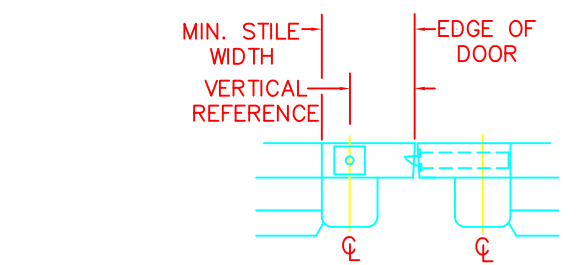
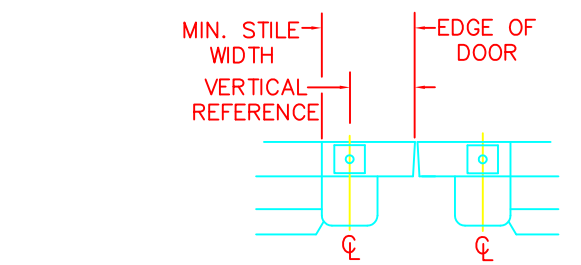
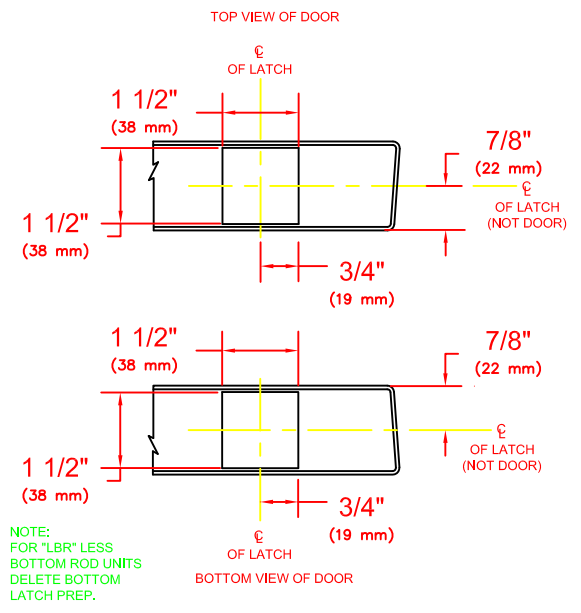
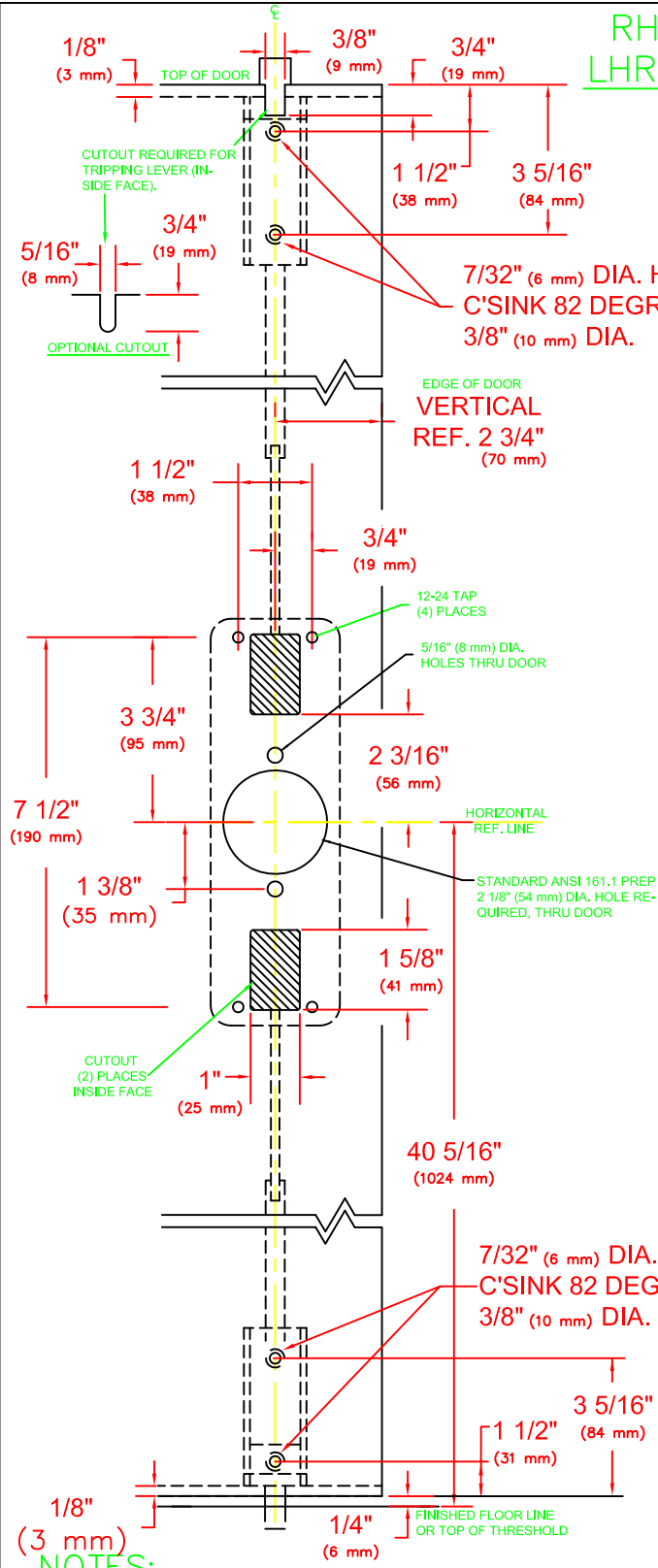


**RHR SHOWN
LHR OPPOSITE**



FOR LESS BOTTOM ROD (LBR) DEVICES, DELETE BOTTOM LATCH PREP. POPPER REQUIRED ON FIRE RATED DEVICE, SEE TEMPLATE T-4012.

- NOTES:**
1. SEE MASTER SHEET #T-0001 FOR SUGGESTED DOOR REINFORCEMENT.
 2. SEE ADDITIONAL TRIM TEMPLATE WHEN REQUIRED.
 3. DEVICE WILL COVER STANDARD SDI CUTOUT.

VERTICAL REFERENCE	MINIMUM STILE WIDTH
2 3/4" (70 mm)	4 7/16" (113 mm)

REV. No. 4

REVISION: Lever Style Notes

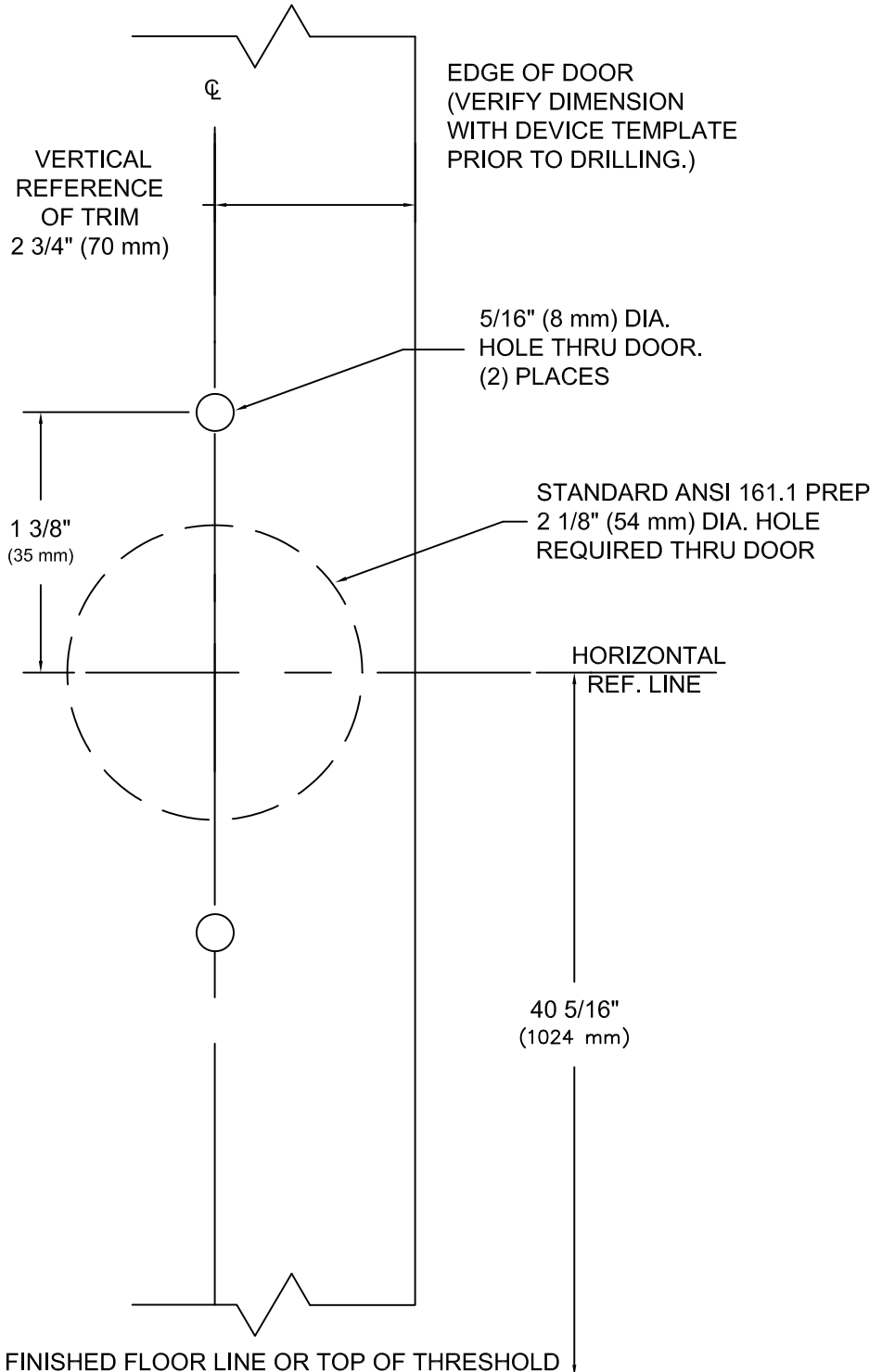
DATE: 1-27-2014



9100 & F9100 CONCEALED VERTICAL ROD TYPE EXIT DEVICE WHEN USED WITH THE FOLLOWING TRIM 9C03/ IC, 9R03/ IC, 9K03/IC 9C08 I/C, 9R08/ IC 9K08 /IC, 9C23, 9K23, 9R23 Key in Lever Trim LEVER TRIM (Aluminum Door) (For Use With Optional ALD Brackets)

TEMPLATE NUMBER
T-9127AL

RHR SHOWN
LHR OPPOSITE




NOT TO SCALE

NOTES:

FINISHED FLOOR LINE OR TOP OF THRESHOLD

1. SEE MASTER SHEET #T-0001 FOR SUGGESTED DOOR REINFORCEMENT.
2. SEE ADDITIONAL DEVICE TEMPLATE WHEN REQUIRED.
3. TRIM WILL COVER STANDARD SDI CUTOUT.

REV. No. 1	REVISION: ADD NEW BORDER	DATE: 11-05-14
	<p>9C03, 9R03, 9K03, 9C03IC, 9R03IC, 9K03IC, 9C08 9R08, 9K08, 9C08IC, 9R08IC, 9K08IC KEY IN LEVER TRIM 9C23, 9R23, 9K23 LEVER TRIM</p>	<p>TEMPLATE NUMBER T-9013①</p>